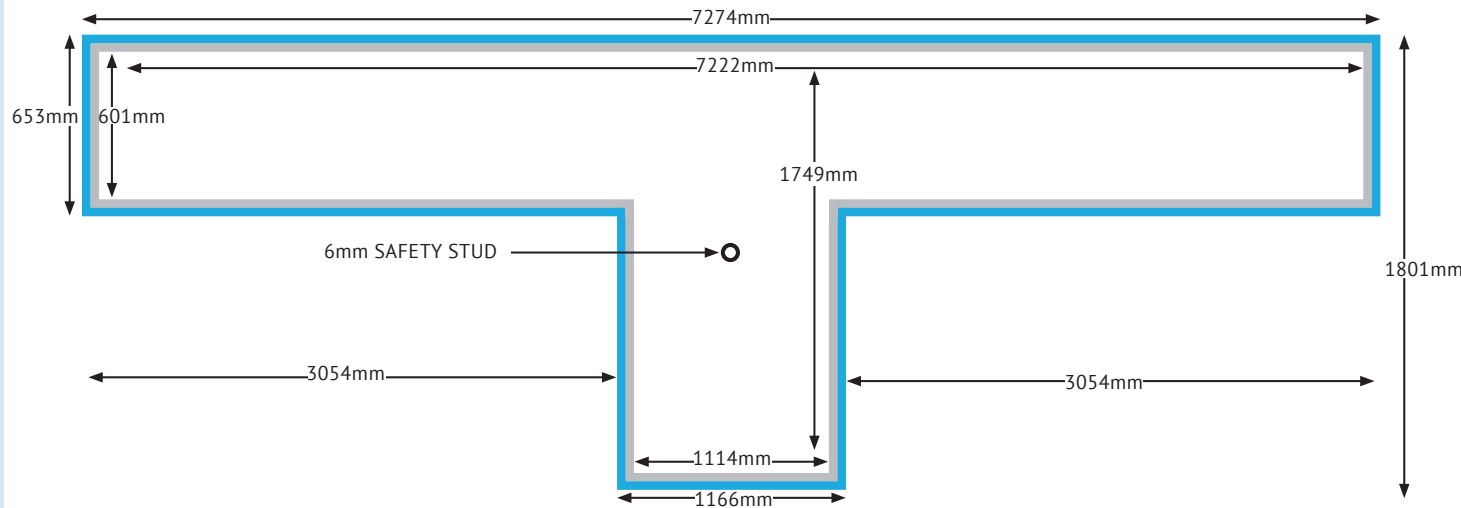


Outdoor Production Specification

Bus: T Side Centre Stem



Supplying artwork

Overall Size:

See Illustration

Safe Area:

See Illustration

Please send artwork / link to: mpl@mediaco.co.uk

Copy deadline for outdoor artwork is 15 working days prior to in charge period. Any further assistance required do not hesitate to contact us.

Copy Supply

- Artworks must be supplied to MPL as print ready files.
- Creative/Media/OOH Specialist agency should have copy checked and approved by media owners/official authorities for any relevant site restrictions i.e. Global TFL, HFSS. Religion, Alcohol etc prior to delivering to MPL.
- MPL cannot be held responsible for these checks.
- MPL will proceed to print as soon as soon as pdf layout approval is received.

Technical Supply

- Artworks are required to be supplied in CMYK, as open files, with all linked images and fonts.
- Our Preferred formats are Adobe Creative Suite 6 or Hi-Res Pdfs.
- Please set your page to ¼ scale @ 300dpi and add 3mm bleed at ¼ size.